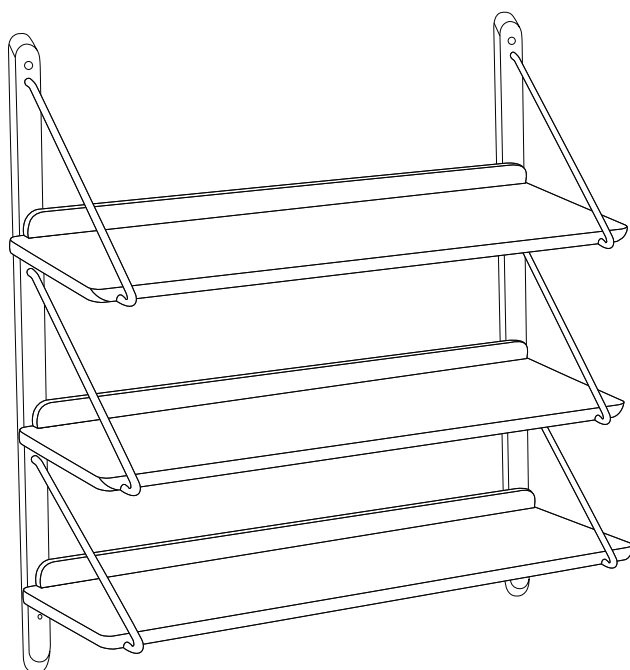




gltc.co.uk

Clifton Wall Shelf - Landscape L3483



Thank you for shopping with GLTC, we hope you enjoy having this product in your home.

We know assembling furniture, toys or accessories is not everyone's favourite way to spend their time, so we've tried to make assembling this item as quick and painless as possible.

Hopefully our efforts will have been worthwhile and you'll sail through the whole process. But if it all feels a bit too much like hard work, then we do have an assembly company we can recommend: the Flatpack Construction Company offers a nationwide service and can be contacted on **0843 289 4951** or **www.flatpackconstruction.co.uk**.

A few important pointers before you start:

- Please read the instructions right through before you start, and check that all the components have been included in the pack; we find separating all the hardware into piles makes it easier to be sure that everything is present and correct.
- Make sure you have the right tools. Allen keys are provided if required, but screw drivers and other tools are not. You'll find details of the tools you need at the beginning of the instructions.
- It's a good idea to build the unit in the room where you are going to be using it, to avoid the need to move it after it's been assembled.
- Do not throw away any packing materials until assembly is complete, just in case you accidentally discard smaller parts or hardware.

Assembly Difficulty



easy - medium - hard



one-person job

V4

31/10/2017

Safety Warnings:

- Adult assembly required.
- Children should be kept away from the product during assembly to avoid any possible risk of injury.
- DO NOT use power tools in the assembly of this product.
- Masonry wall fixings have been provided for use on solid brick and masonry walls. If mounting or fixing to another wall type then please use the appropriate fixings for the wall type. If in doubt, please seek professional advice.
- Maximum weight load 10kg per shelf. Do not overload.
- Check all fixtures and fittings regularly and tighten as necessary.
- Please retain these instructions for future reference.

Customer Service:

- If you find that any components are missing or damaged, please do not begin assembly and do not use the item. Please contact GLTC Customer Services on **0344 848 6000** immediately.
- We do stock spare hardware packs at our warehouse, so we should be able to send you a replacement pack immediately if required.

Product Care:

- Wipe clean using a soft damp cloth followed by a dry cloth.
- Do NOT use cleaning products which contain ammonia, solvents or abrasive material.
- Do NOT expose the item to extremes of heat and humidity.

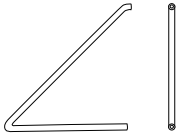
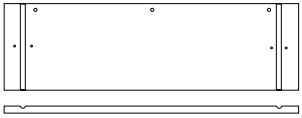
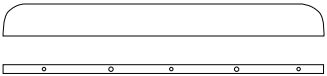

Could we do better?






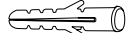


If there is anything you think could be improved in these instructions or in the assembly of this product we'd be grateful if you could let us know; we'll pass any helpful hints and tips on to other customers via our website and update the instructions.

All you need to do is drop us a line at [**instructions@gltc.co.uk**](mailto:instructions@gltc.co.uk)

Thank you

Component Check List

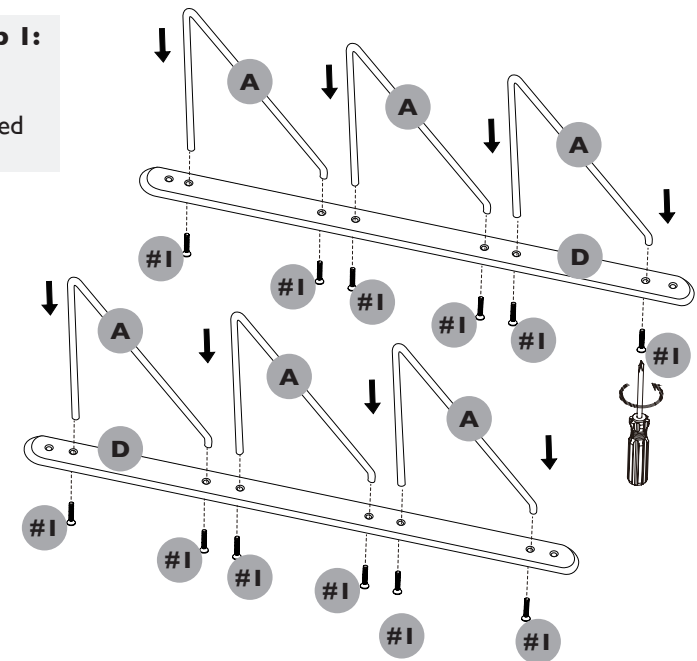
<p>A</p>  <p>6x Shelf Arms</p>	<p>B</p>  <p>3x Shelves</p>
<p>C</p>  <p>3x Shelf Backs</p>	<p>D</p>  <p>2x Panels</p>

<p>#1</p>  <p>12x Threaded Bolts 20mmL</p>	<p>#2</p>  <p>9x Medium Screws 25mmL</p>	<p>#3</p>  <p>6x Dowels 20mmL</p>	<p>#4</p>  <p>6x Metal Clips</p>
<p>#5</p>  <p>12x Short Screws 10mmL</p>	<p>#6</p>  <p>4x Wall Plugs 40mmL</p>	<p>#7</p>  <p>4x Long Screws 40mmL</p>	<p>You will need (not supplied)</p>  <p>Phillips Head Screwdriver</p>

Hardware for Step 1:



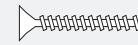
12x #1 20mmL threaded bolts



STEP 1:

Attach 6x shelf arms (A) to panels D using 12x threaded bolts (#1).

Hardware for Step 2:



9x #2 25mmL screws

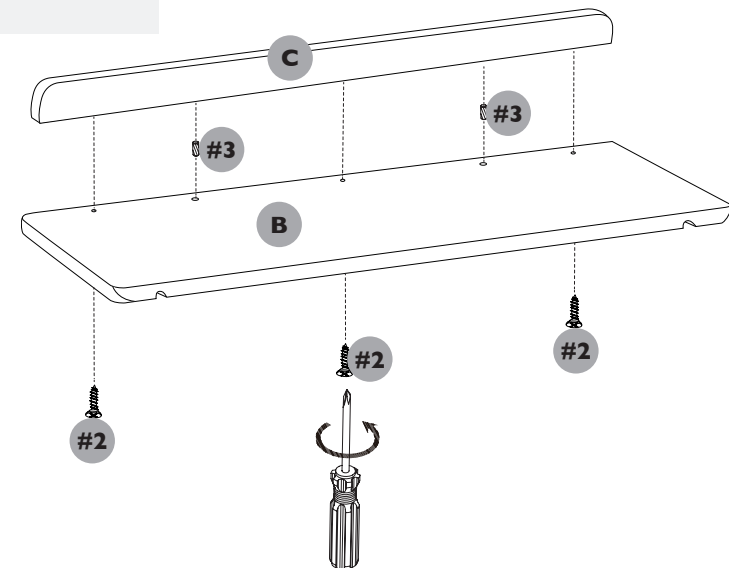


6x #3 dowels

STEP 2:

Attach the shelf back (C) to the shelf (B) using 3x medium screws (#2) and 2x dowels (#3).

Repeat this step for all 4 shelves.



Hardware for Step 3:



6x #4 metal clips

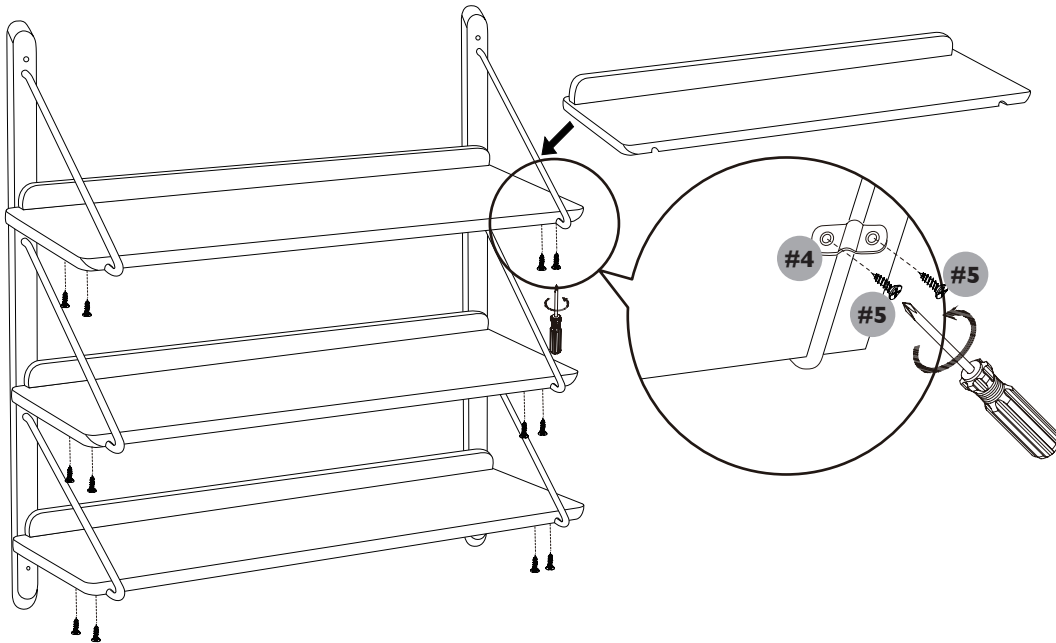


12x #5 10mmL screws

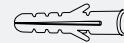
STEP 3:

Attach the shelves to the shelf arms using 2x metal clips (#4) per shelf, secure each fixing under the shelf arm and to the shelf using 2x short screws (#5).

Repeat this step for all 4 shelves.



Hardware for Step 4:



4x #6 wall plugs



4x #7 40mmL screws

STEP 4:

Masonry wall fixings have been provided for use on solid brick and masonry walls. If mounting or fixing to another wall type then please use the appropriate fixings for the wall type. If in doubt, please seek professional advice.

